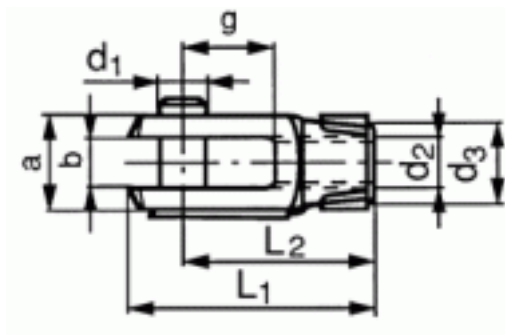


57580060024

D71752 ZPL FORKJNT W/SPRING PIN ES 6X24



Brand	-
UBB Code	203385062211
UNSPSC Code	31160000
EAN Code	8715492877321
Type	ES
Thread (long)	Metric thread
Material (long)	Free-cutting steel
Surface treatment (long)	Zinc plated



L2	36
L1	43
b (B13)	6
aEN	12
d3	10
d2	M6
g	24
d	6
Packaging (Piece)	5.0



Copyright Fabory Group